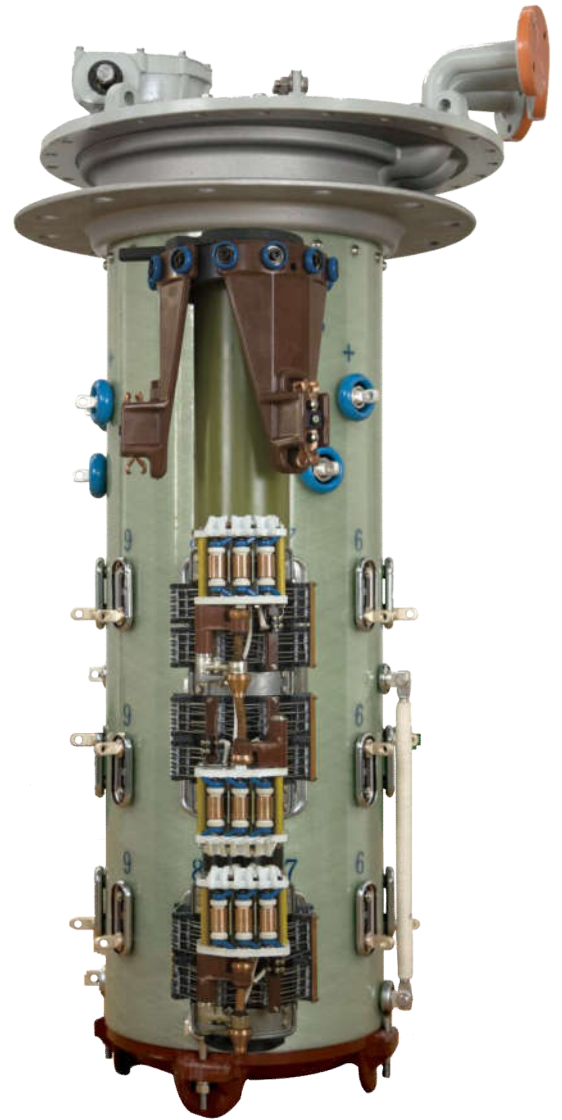


◎ Product Introduction

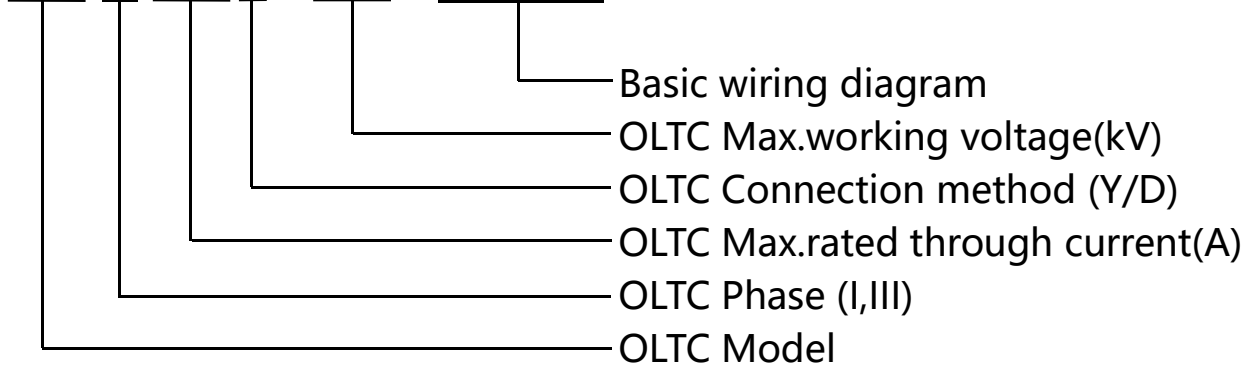
The ZV on-load tap-changer is suitable for power transformers with the highest working voltage of 40.5kV, 72.5kV, maximum rated through current of three-phase 350A, 500A, single-phase 350A, 700A, and rated frequency of 50Hz or 60Hz to change the voltage regulating coil under load. The tap connection position achieves the purpose of voltage regulation.

The ZV on-load tap-changer is a composite structure, which combines the functions of the diverter switch and the tap selector to form a selector switch, which undertakes both the selection of taps and the switching of load current, forming an integral plug-in structure with a compact structure , Easy maintenance, reliable work, suitable for small and medium-sized transformers.



◎ Model Description

ZV III 500 Y - 72.5 - 10193W



© ZV Technical Data

Item	Specifications	III350Y	III350D	I350	III500Y	III500D						
1	Max.rated through current (A)	350	350	350	500	500						
2	Phase & connection method	Neutral point	Arbitrary connection		Neutral point	Arbitrary connection						
3	Rated frequency (Hz)	50 or 60										
4	Max.rated step voltage (V)	10 contacts	1500									
		12 contacts	1400									
		14 contacts	1000		-							
5	Rated step capacity(kVA)	10 contacts	525		325-525							
		12 contacts	420		325-420							
		14 contacts	350		-							
6	Withstand short circuit capacity (kA)	Thermal (3s)	5.0		7.0							
		Dynamic (peak)	12.5		17.5							
7	Working positions	Linear regulating	Max. 14		Max. 12							
		Reversing regulating or Coarse and fine regulating	±3~±13		±3~±11							
8	Insulation level of tap changer (kV)	Rated voltage	35		66							
		Max. service voltage	40.5		72.5							
		Power frequency withstand voltage (50Hz, 1min)	85		140							
		Rated lightning impulse withstand voltage (1.2/50μs)	200		350							
9	Mechanical life	≥800000 times										
10	Electrical life	≥200000 times										
11	Diverter switch Oil chamber	Work pressure	3×10 ⁴ Pa									
		Sealing performance	No leakage under 6×10 ⁴ Pa for 24 hours									
		Overpressure protection	Blasting cap blast at (4~5) ×10 ⁵ Pa									
		Protection relay	QJ4-25 oil flow speed set at 1.0m/s±10%									
12	With motor driver mechanism	ZD/MAE										
13	Weight	OLTC model	III350Y	III350D	I350	III500Y	III500D					
		Weight (kg)	140	150	120	190	200					
12	Oil displacement (L)	Linear regulating	135	185	85	205	240					
		Reversing regulating or Coarse and fine regulating	165	200	115	235	275					
13	Oil filling capacity (L)		Vs	DV	Vs	DV	Vs	DV	Vs	DV	Vs	DV
		Linear regulating	105	14	165	21	60	10	160	20	200	24
		Reversing regulating or Coarse and fine regulating	130	17	180	22	85	12	185	22	225	26

Note: The 500A rated capacity can be increased from 400A to 525KVA (10 contacts) and from 325kVA to 420KVA (12 contacts) when the rated current is reduced.